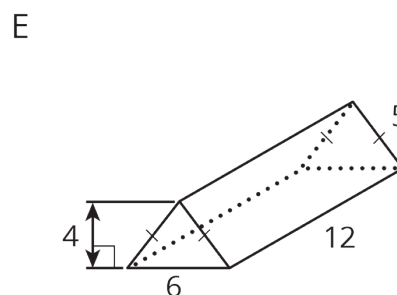
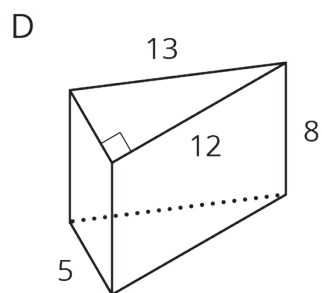
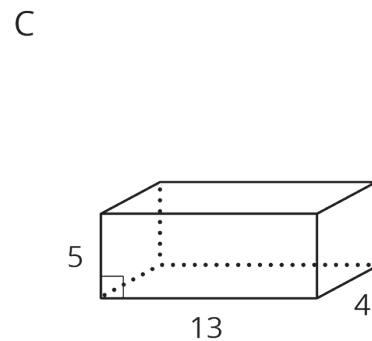
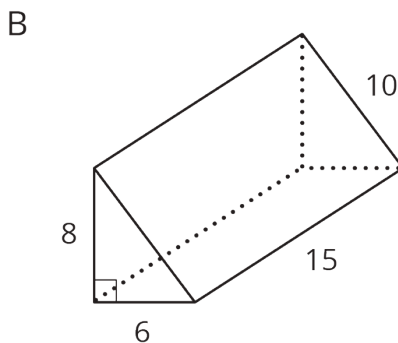
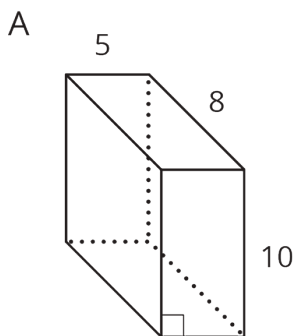
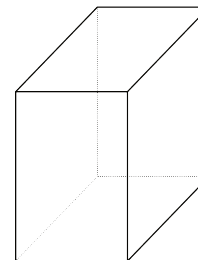


Unit 7 Lesson 14 Cumulative Practice Problems

1. Edge lengths are given in units. Find the surface area of each prism in square units.



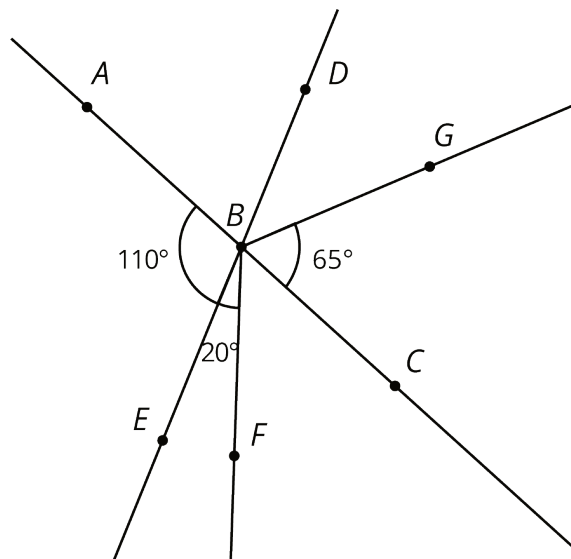
2. Priya says, "No matter which way you slice this rectangular prism, the cross section will be a rectangle." Mai says, "I'm not so sure." Describe a slice that Mai might be thinking of.



(From Unit 7, Lesson 11.)

3. B is the intersection of line AC and line ED . Find the measure of each of the angles.

- Angle ABF
- Angle ABD
- Angle EBC
- Angle FBC
- Angle DBG



(From Unit 7, Lesson 5.)

4. Write each expression with fewer terms.

- $12m - 4m$
- $12m - 5k + m$
- $9m + k - (3m - 2k)$

(From Unit 6, Lesson 20.)

5.
 - Find 44% of 625 using the facts that 40% of 625 is 250 and 4% of 625 is 25.
 - What is 4.4% of 625?
 - What is 0.44% of 625?

(From Unit 4, Lesson 9.)